

Kommunaltechnik Pierau GmbH



Index Of Contents

TAZ/TAZII/TSZ

Cityfant 60/Optifant 70 until 2006

Cityfant 60/Optifant 70 since 2007

Page

- 3** Disc Broom Drive
- 4** Disc Broom Guide
- 5** Suction Mouth Unit TAZ/TAZII + CF/OF until 2006
- 6** Suction Mouth Unit CF/OF since 2007
- 7** Suction Mouth Unit TSZ
- 8** Castor Wheels
- 9** Guide Arm Suction Device
- 10** Lifting Cylinder + Locking Unit Suction Device
- 11** Roller Broom I
- 12** Roller Broom II
- 13** Throw Limiters
- 14** Suction Hose Device
- 15** Shutoff Device
- 16** Rear Suction Device Incl. Slider
- 17** Dirt Container Inside
- 18** Dirt Container Outside
- 19** Motor Parts I
- 20** Motor Parts II
- 21** Ventilator
- 22** Power Transmission (back side: V-belts)
- 23** TAZII - Motor Parts, Ventilator
- 24** Water Pumps + Filters
- 25** Water System

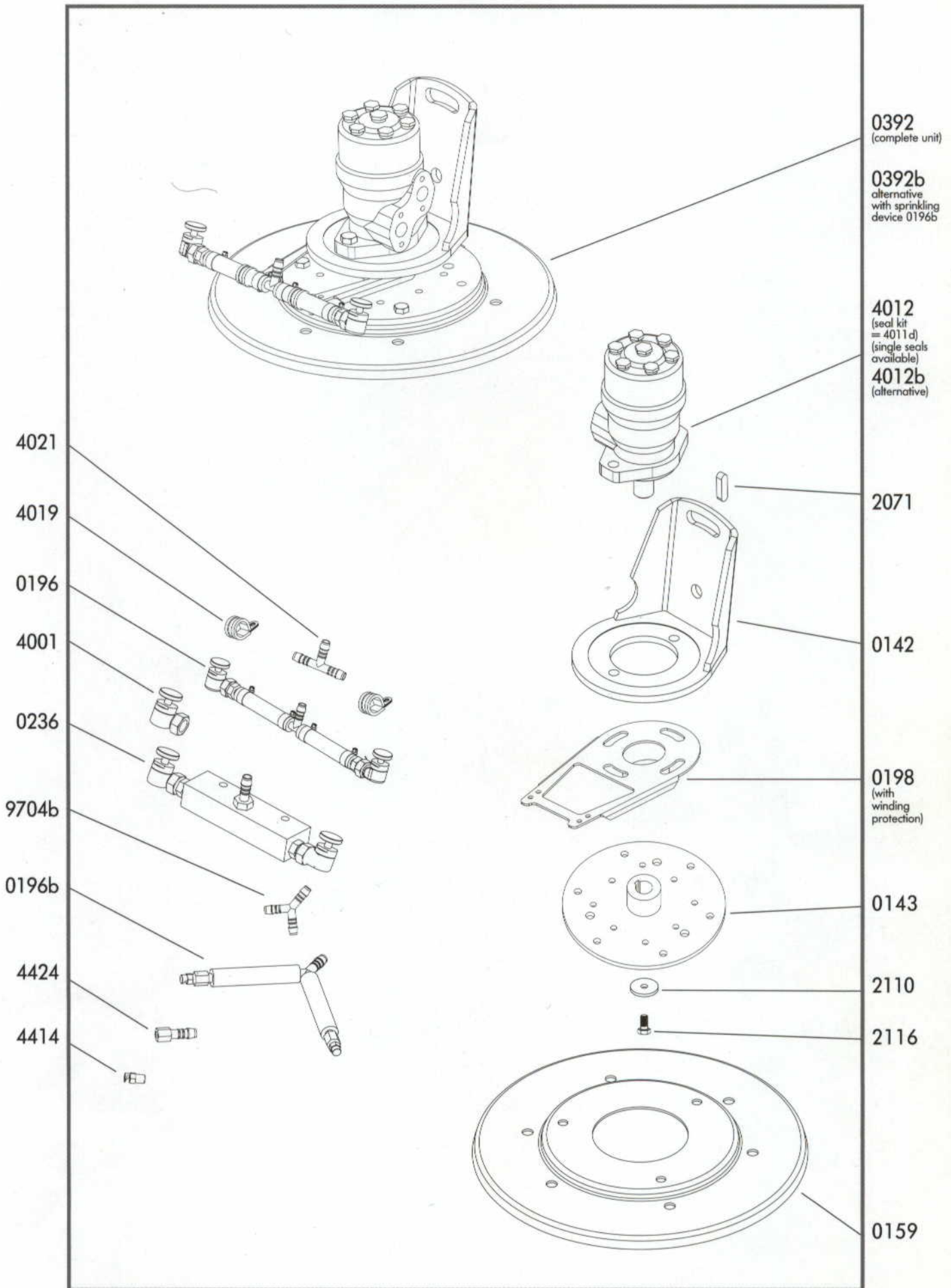
Page

- 26** Hydraulics
- 27** Pneumatic Cylinder
- 28** Pneumatics
- 29** Electrics
(back side: Switches)
- 30** Various

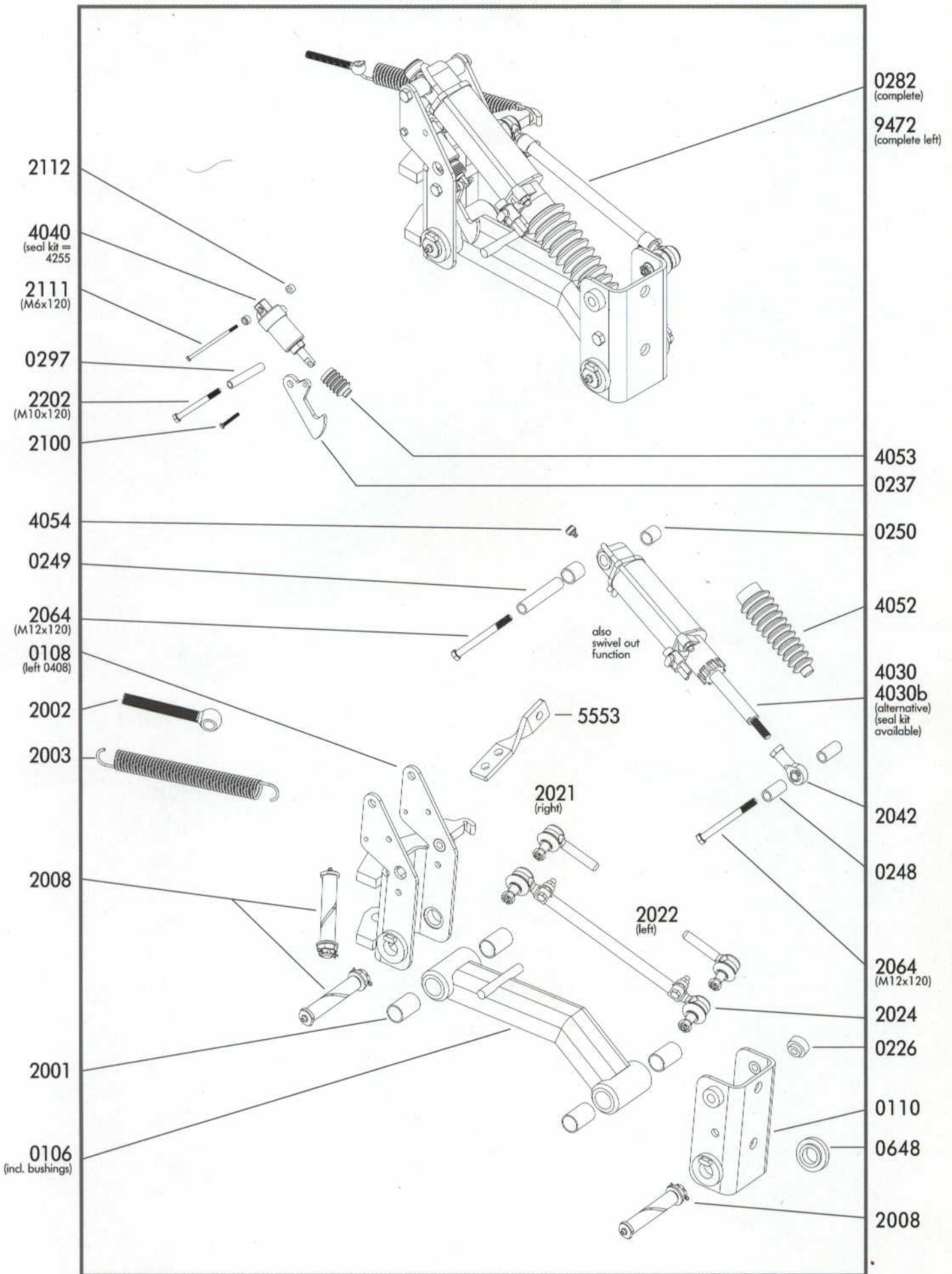
This list shows the majority of our stock program. Furthermore we can supply various parts which are difficult to illustrate and therefore not mentioned in this list. Please, do not hesitate to ask for further information.



Disc Broom Drive

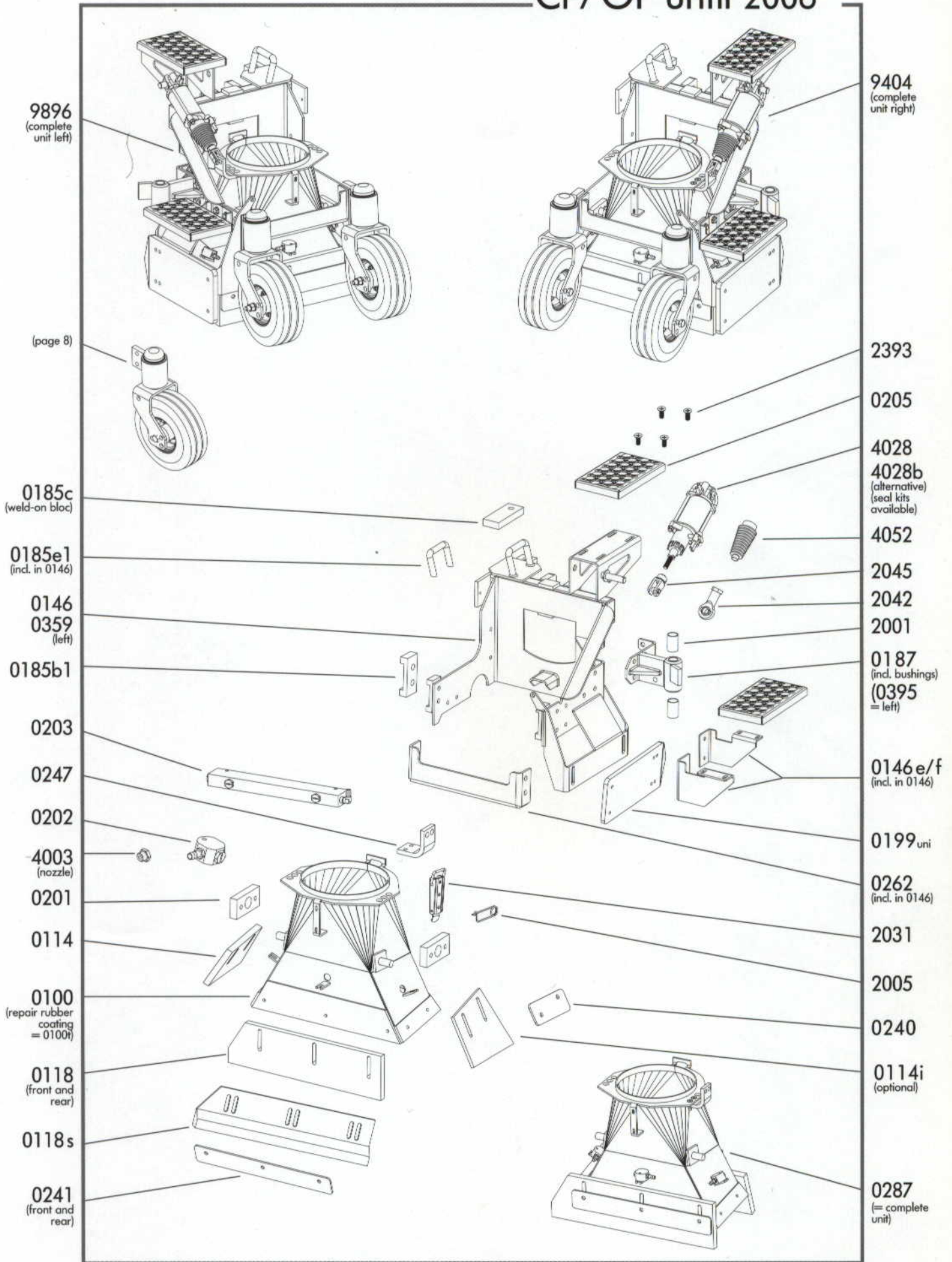


Disc Broom Guide



Suction Mouth Unit TAZ/TAZ II

CF/OF until 2006



Suction Mouth Unit CF/OF since 2007

9404b
(complete unit)
9896b
(left)

1146j

1146k

1146
(complete)

(page 8)

1146c

5438
(incl. in 1146)

0247

2031

0202

4003
(nozzle)

0240

0114b

0118su

0241

1287
(complete unit)

2393

0205

5441

0201

4028
(seal kit
= 4061)

4028b
(alternative)

4052

2045

1146h

2001

0187
(0395 = left)

2393

0205

1146e

1146g
(1146gl = left)

0199uni

0199n
(reversion kit)

0241

0118b

0240

0114b

1100
(repair rubber
coating = 1100t)

5528

9636

2460

9421
(9421ks = left)

0118kb

0241

Suction Mouth Unit TSZ

9336b
(complete unit
left)

9336
(complete unit
right)

0185e1

0185c
(weld-on bloc)

0185b1

0276

4031
4031b
(alternative)
(seal kits
available)

4052

2045

2115

0284

0123

0285

0211
complete

0204

4003
(nozzle)

0202

2393

0205

2001

0199 uni

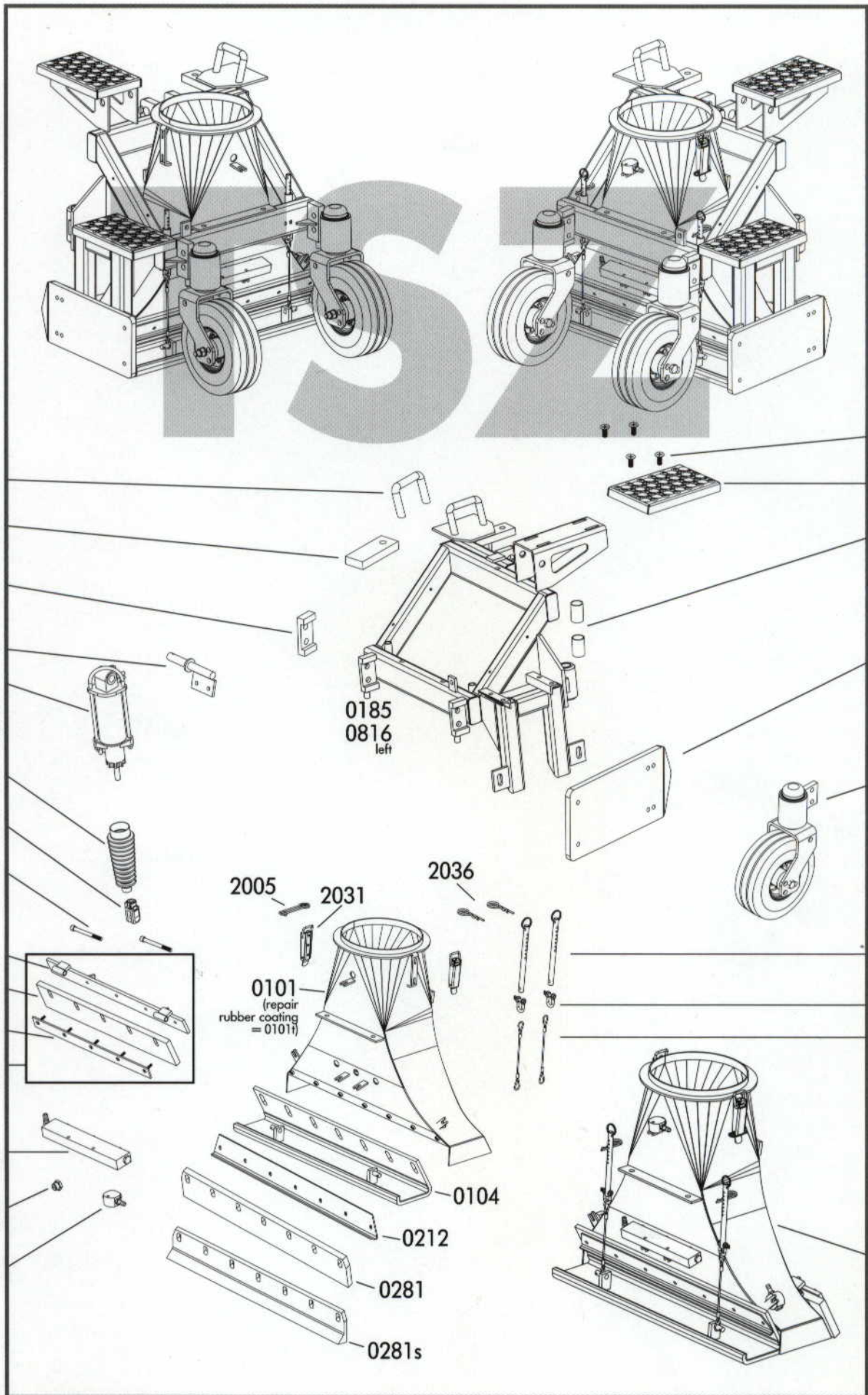
(page 8)

0266

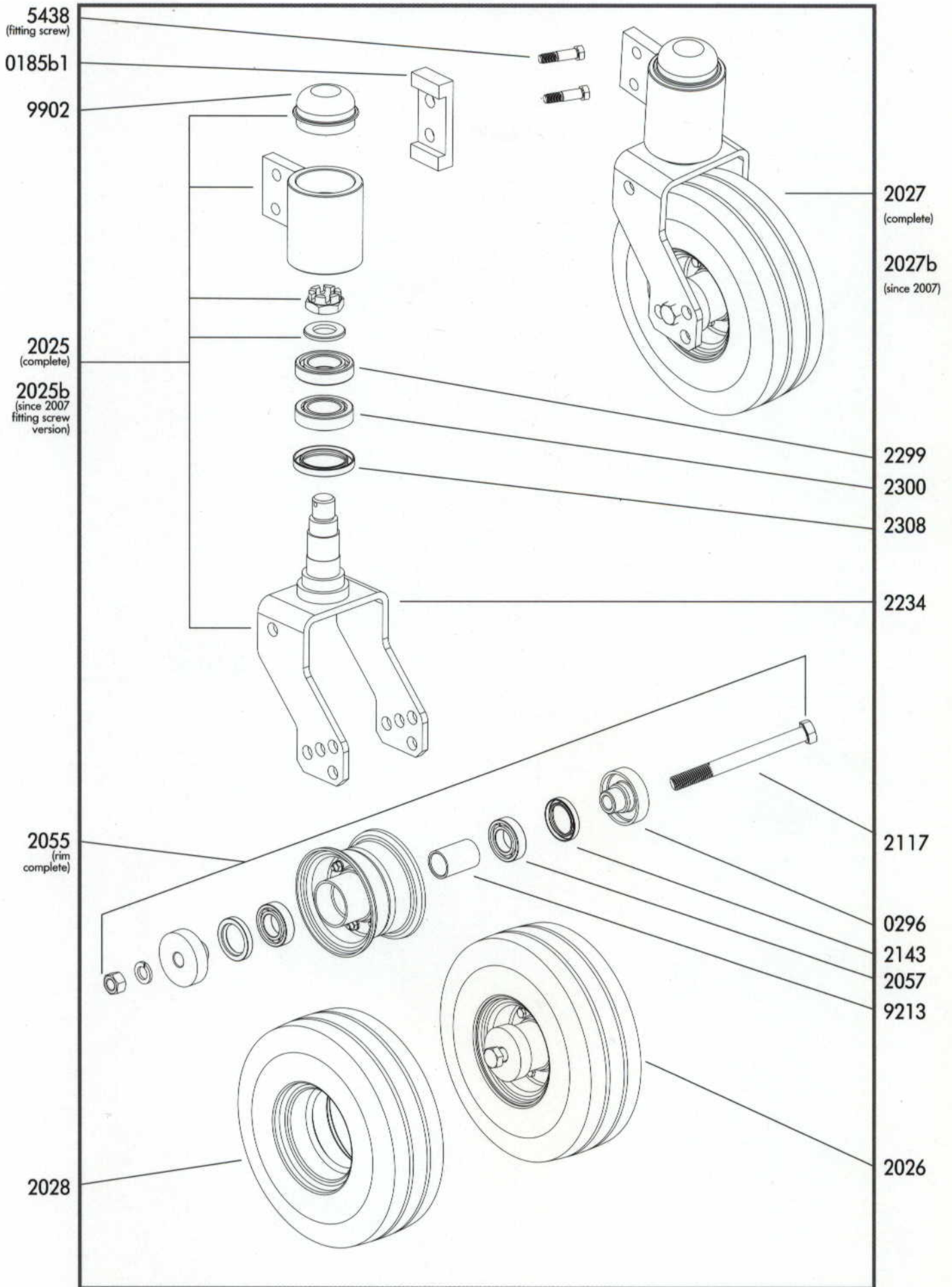
2051

2053

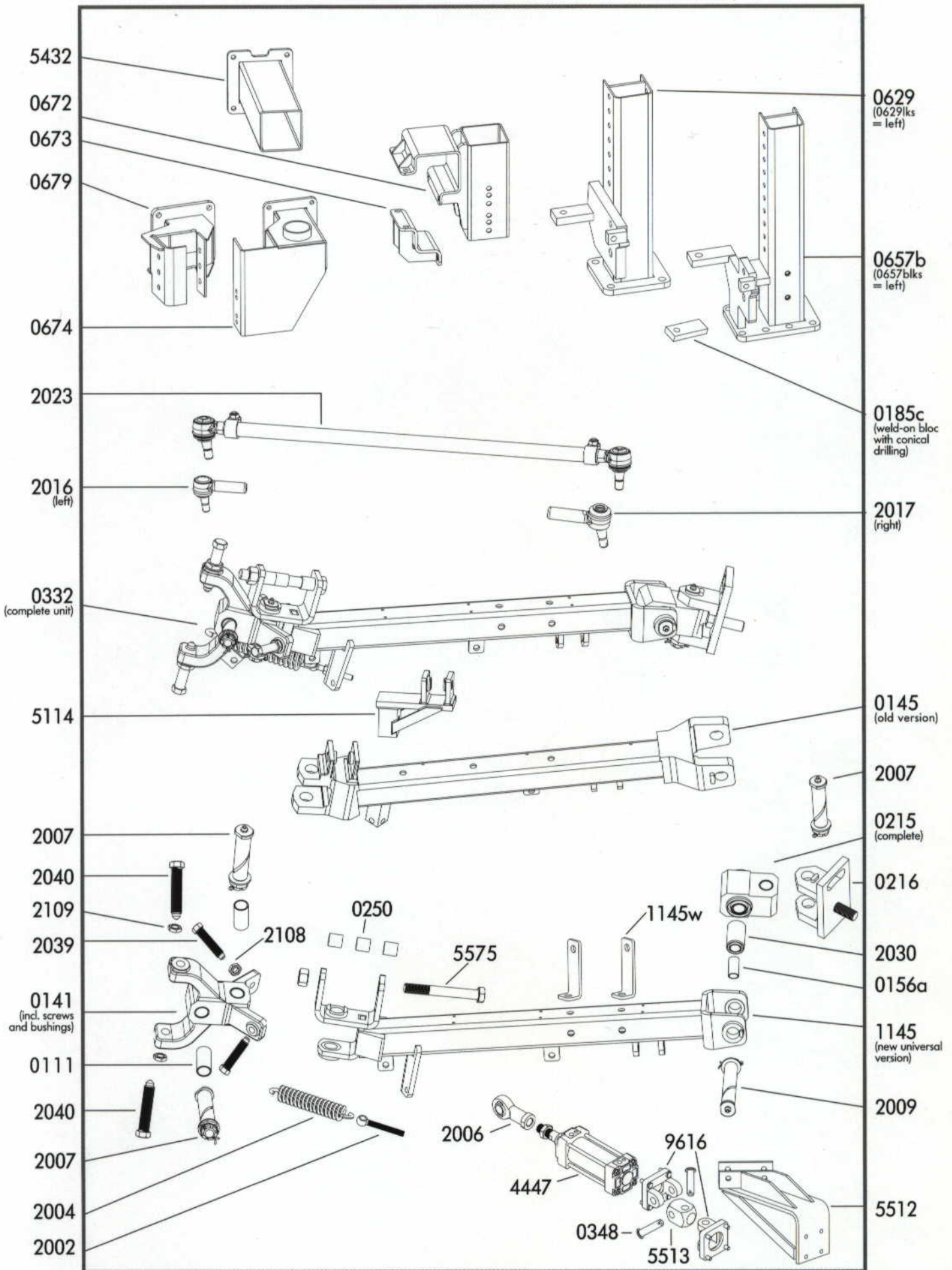
0278
(complete unit)



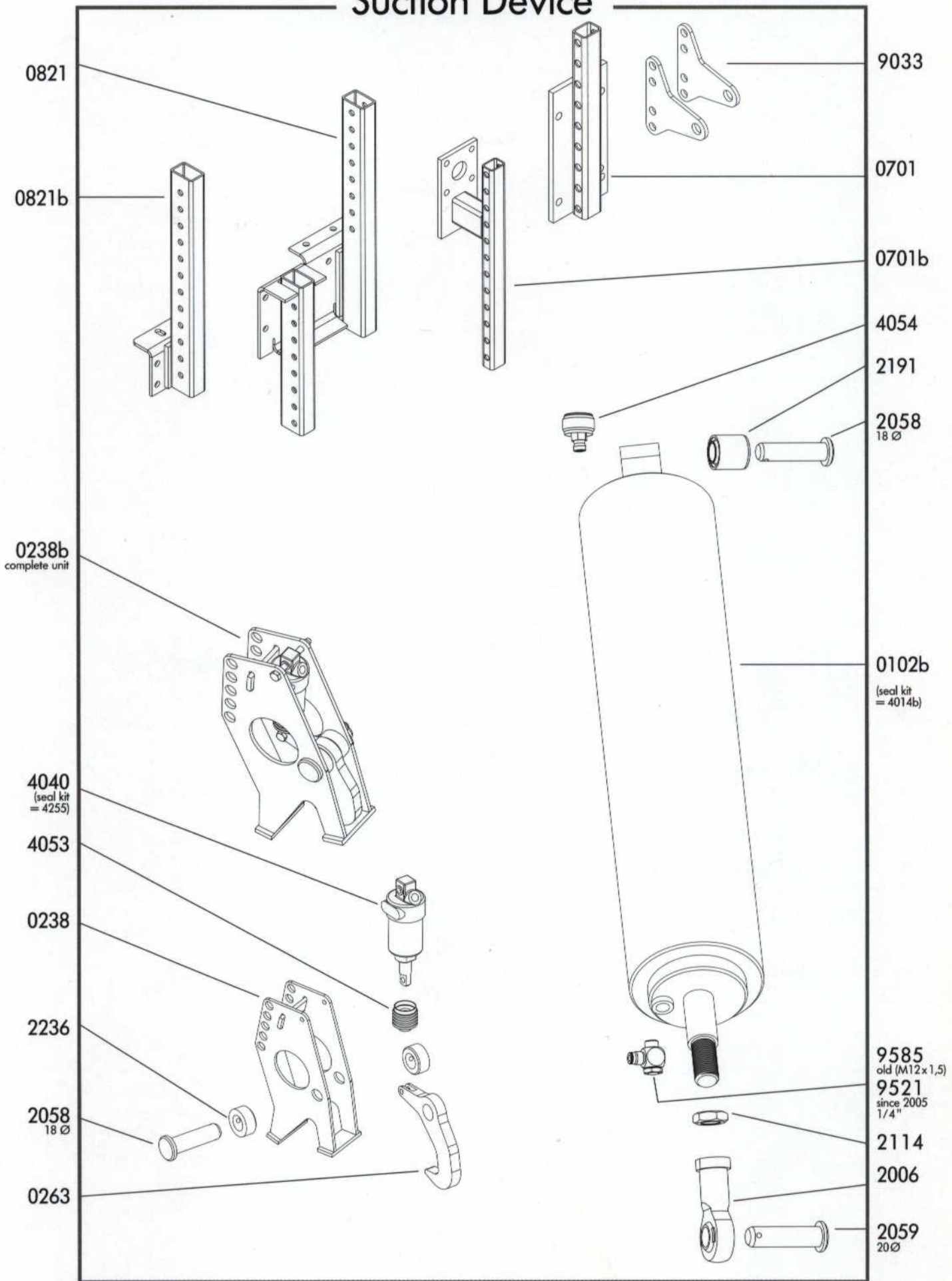
Castor Wheels



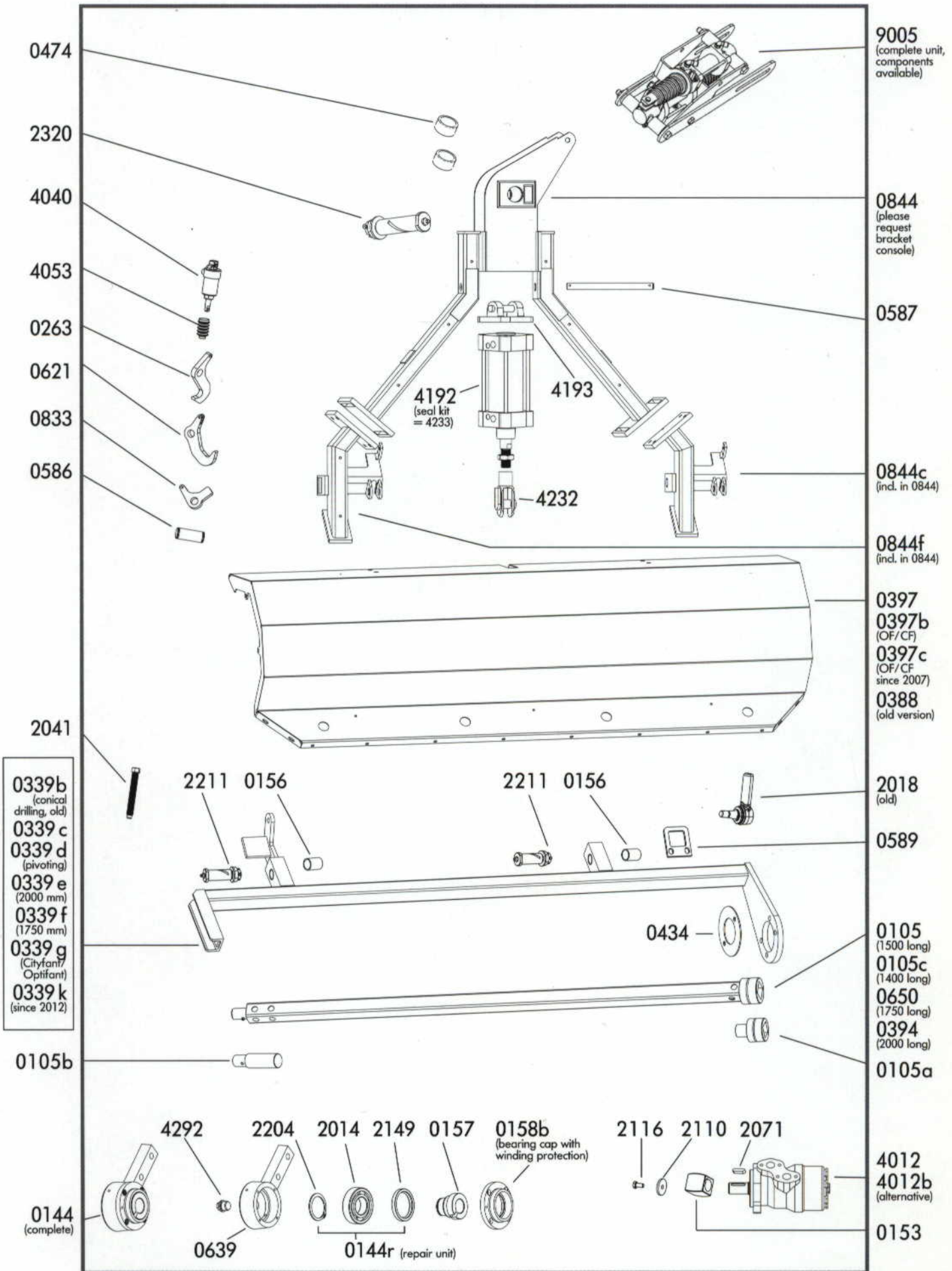
Guide Arm Suction Device



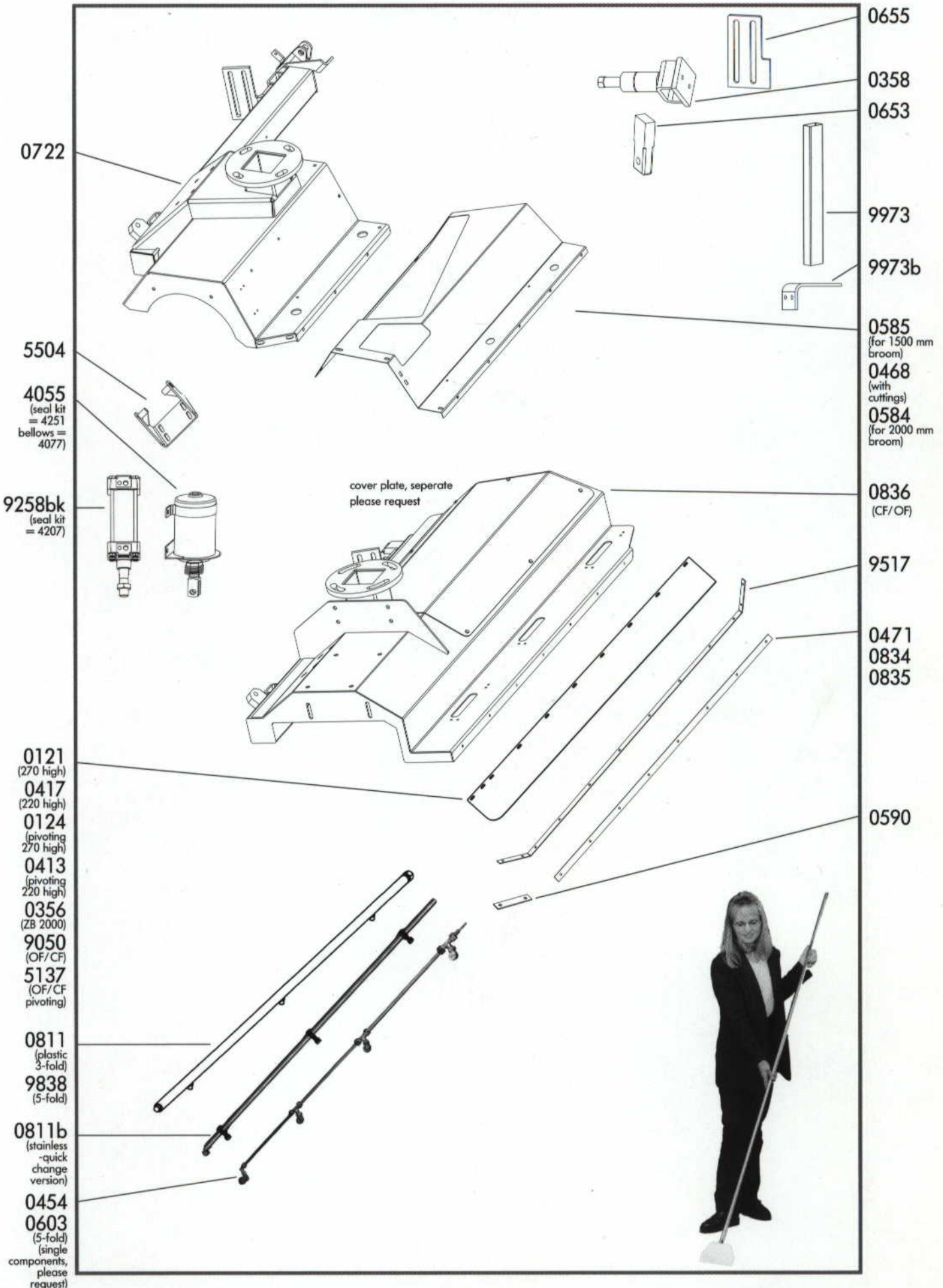
Lifting Cylinder + Locking Unit Suction Device



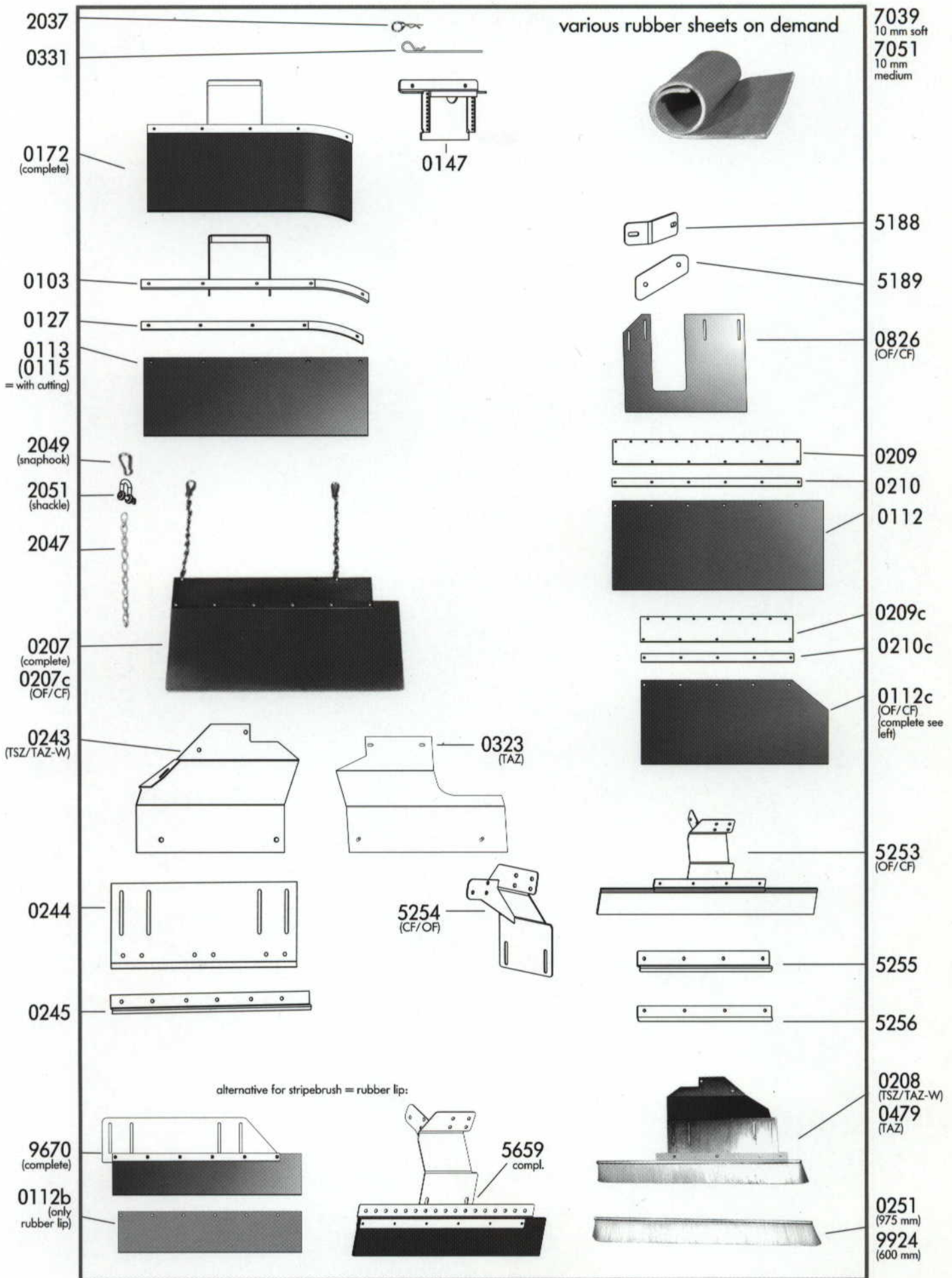
Roller Broom I



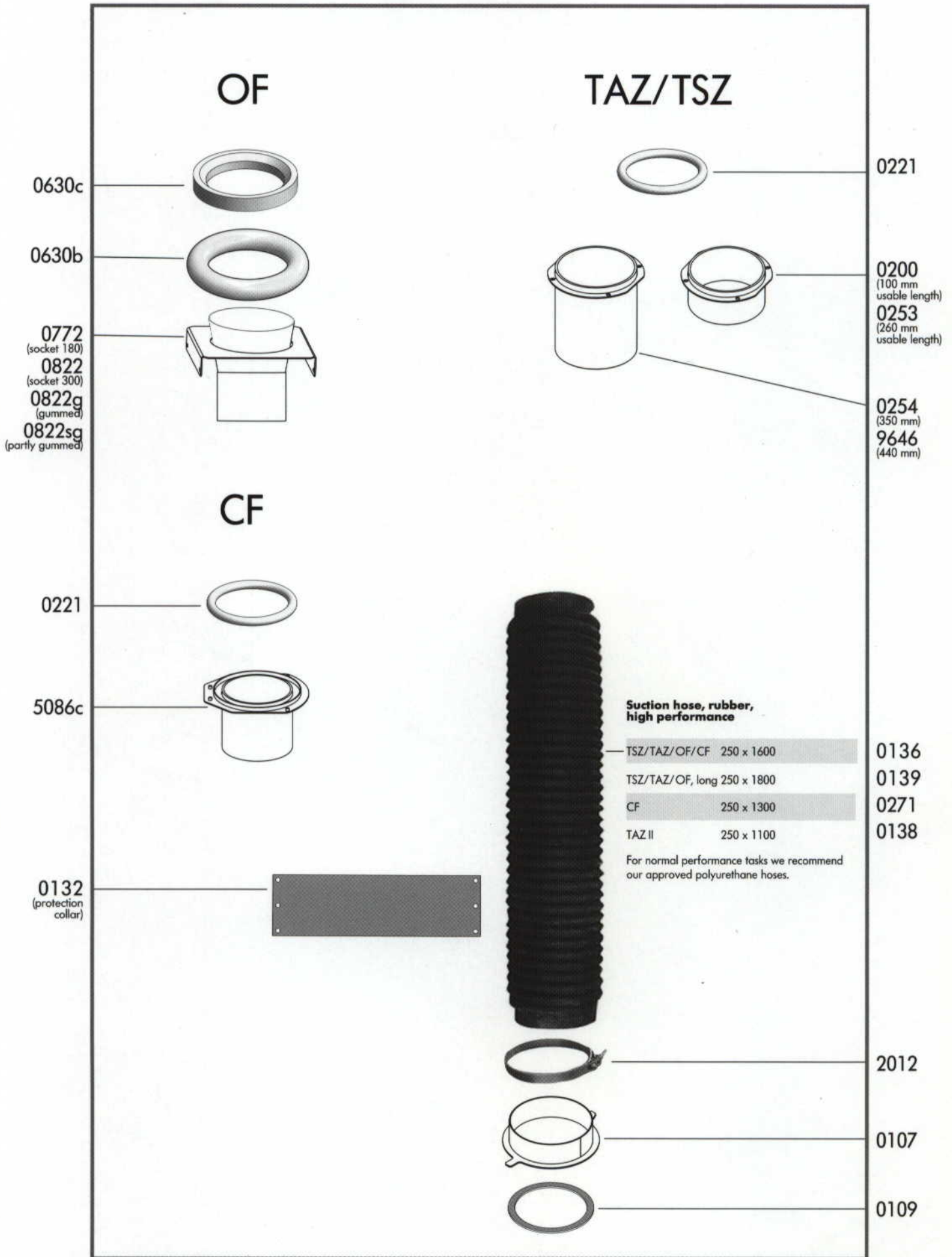
Roller Broom II



Throw Limiters



Suction Hose Device



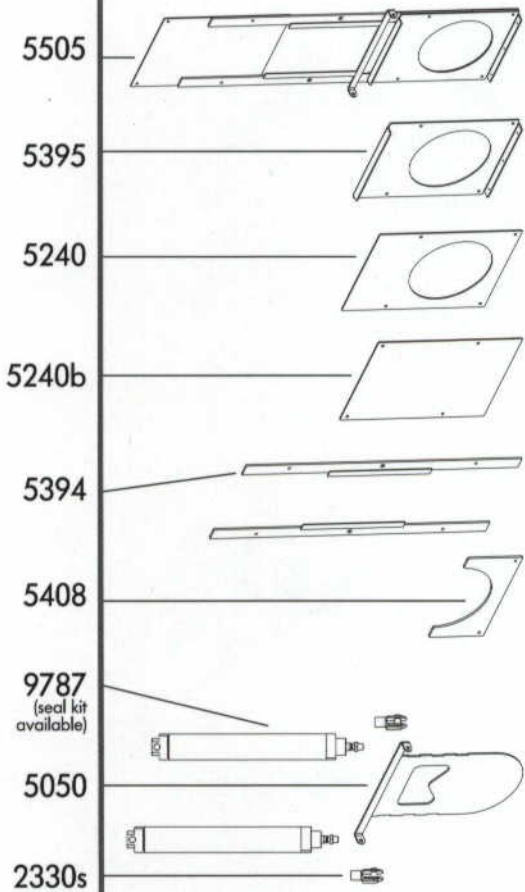
Shutoff Device



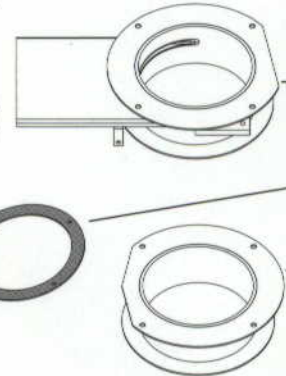
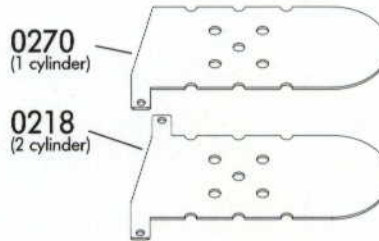
universal pipe socket right/left,
please see page 17

OF

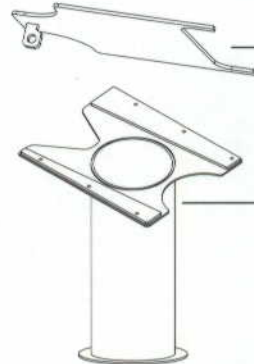
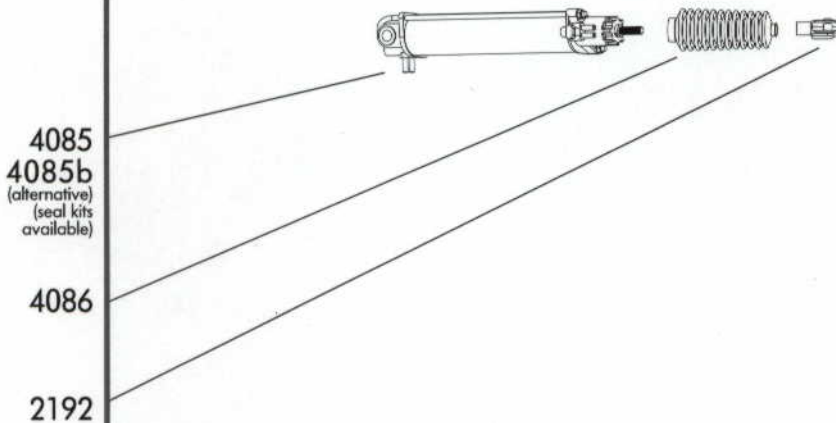
TAZ/TSZ



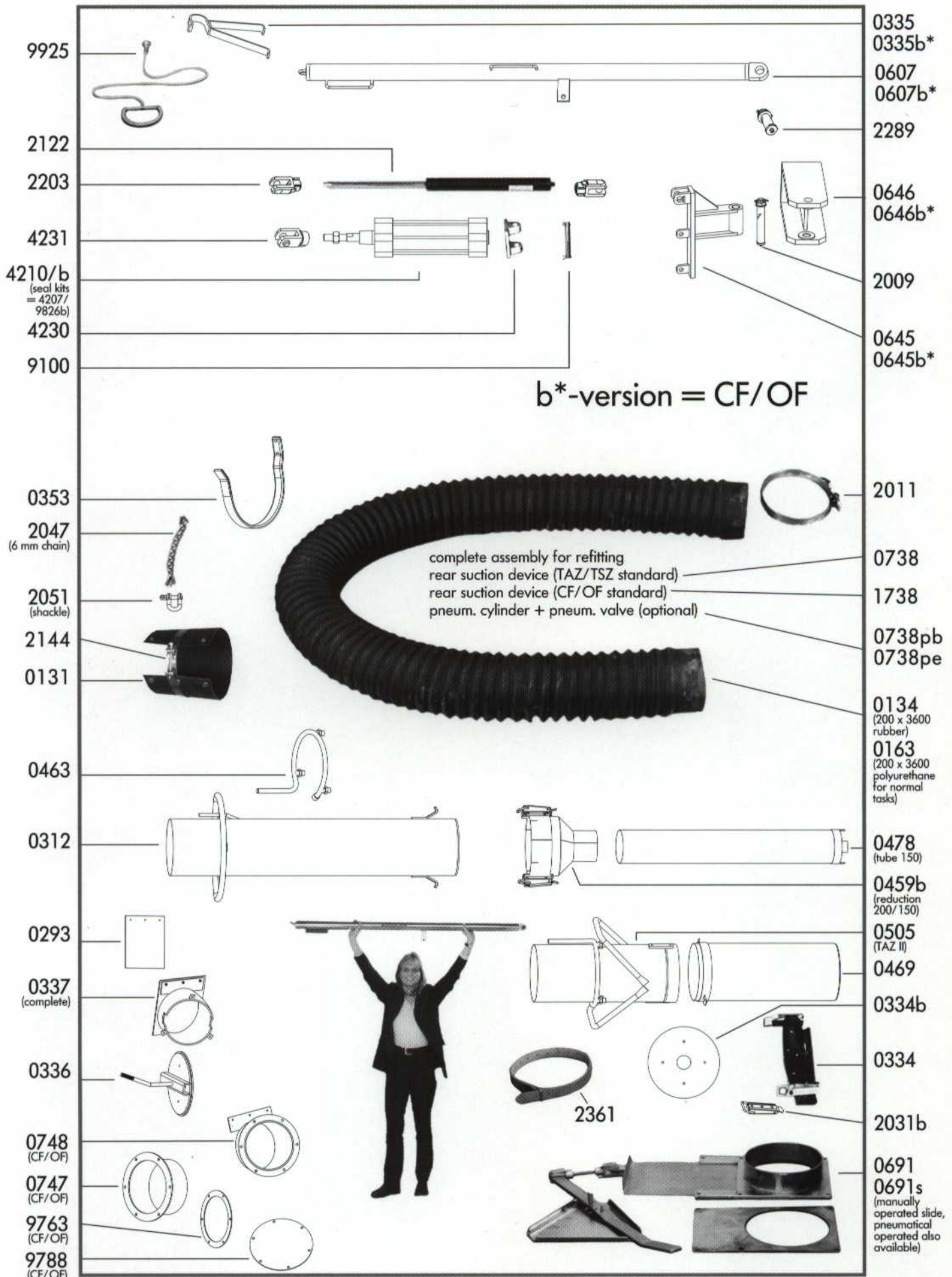
4085b
(alternative)
(seal kits available)



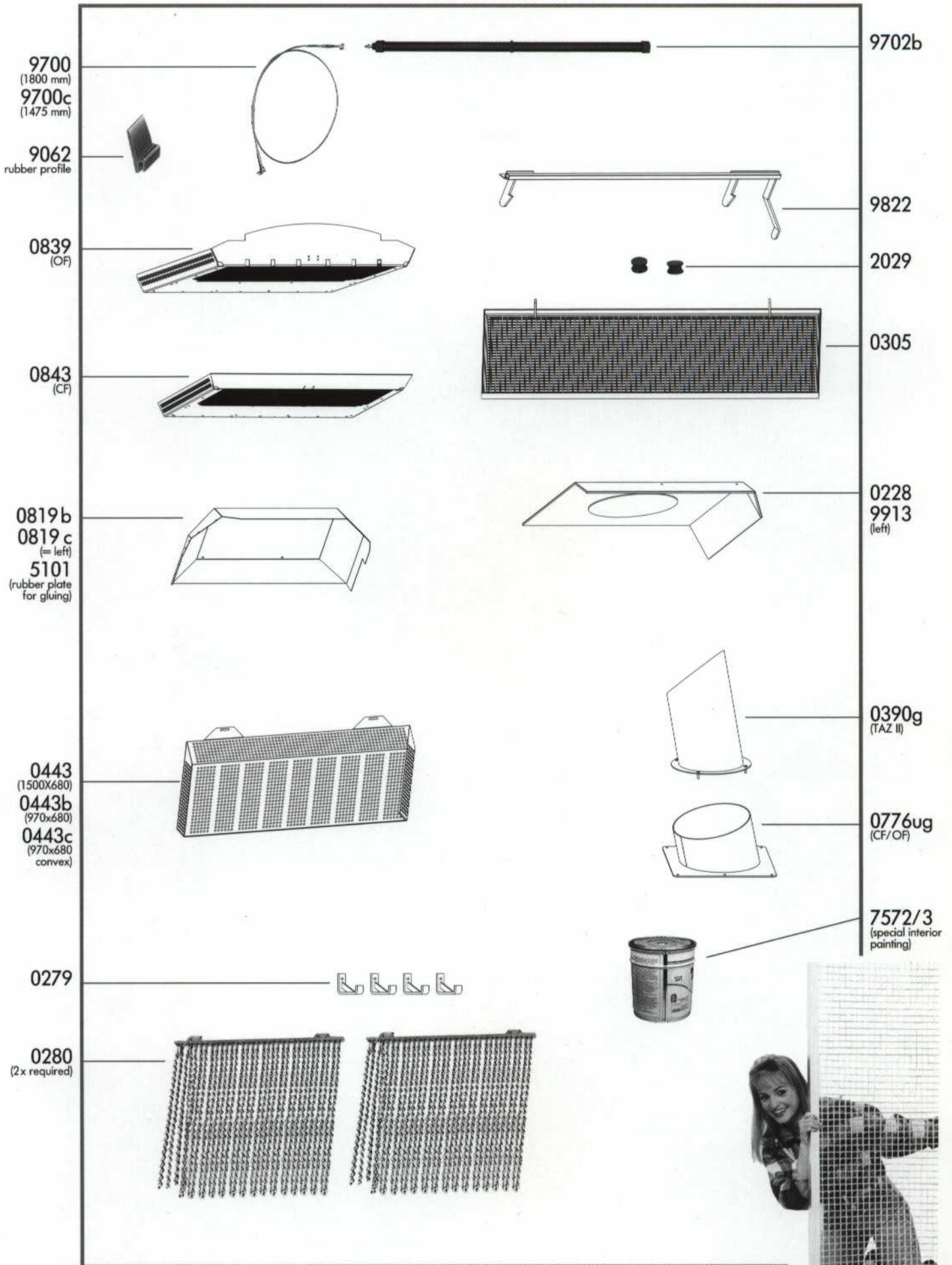
CF



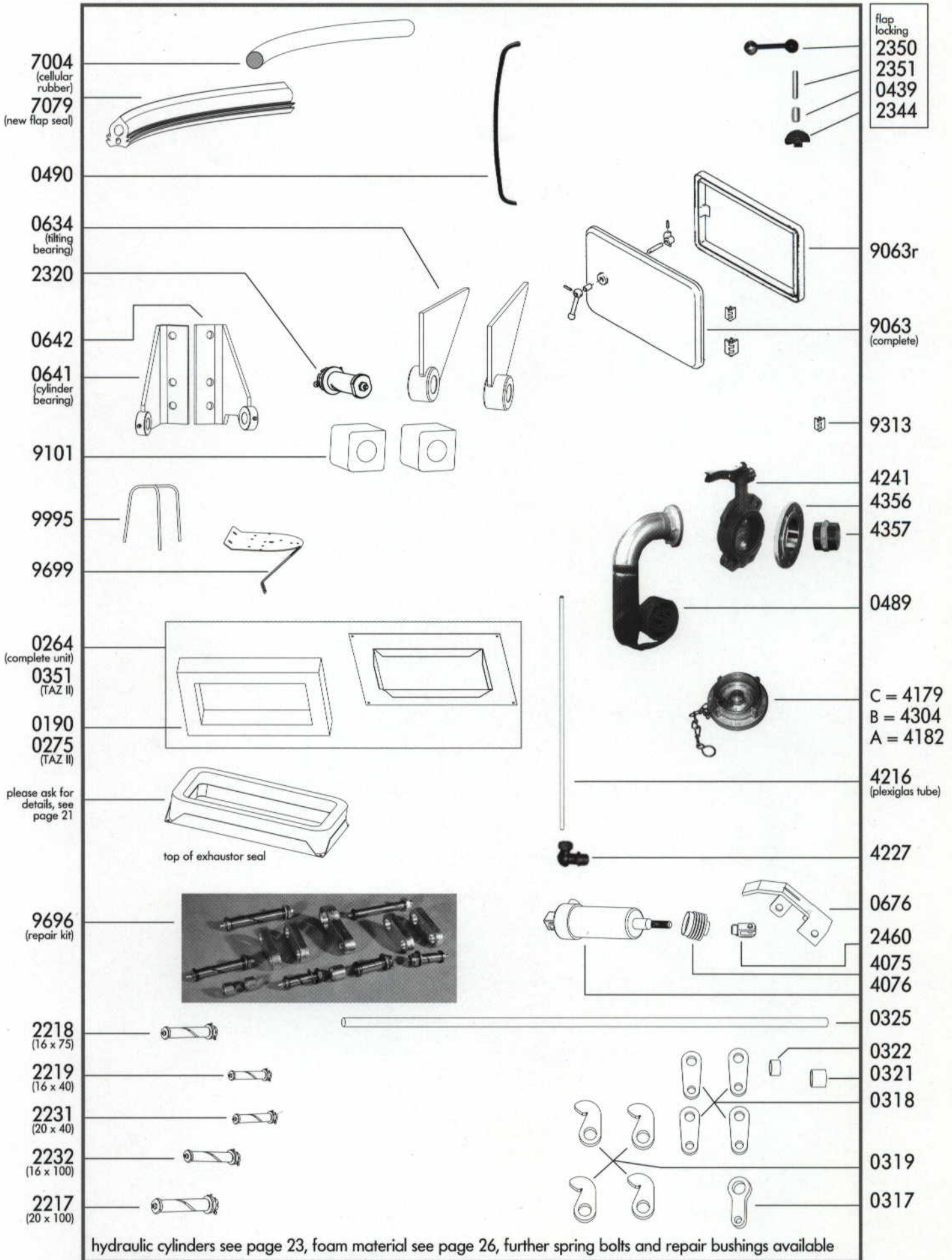
Rear Suction Device



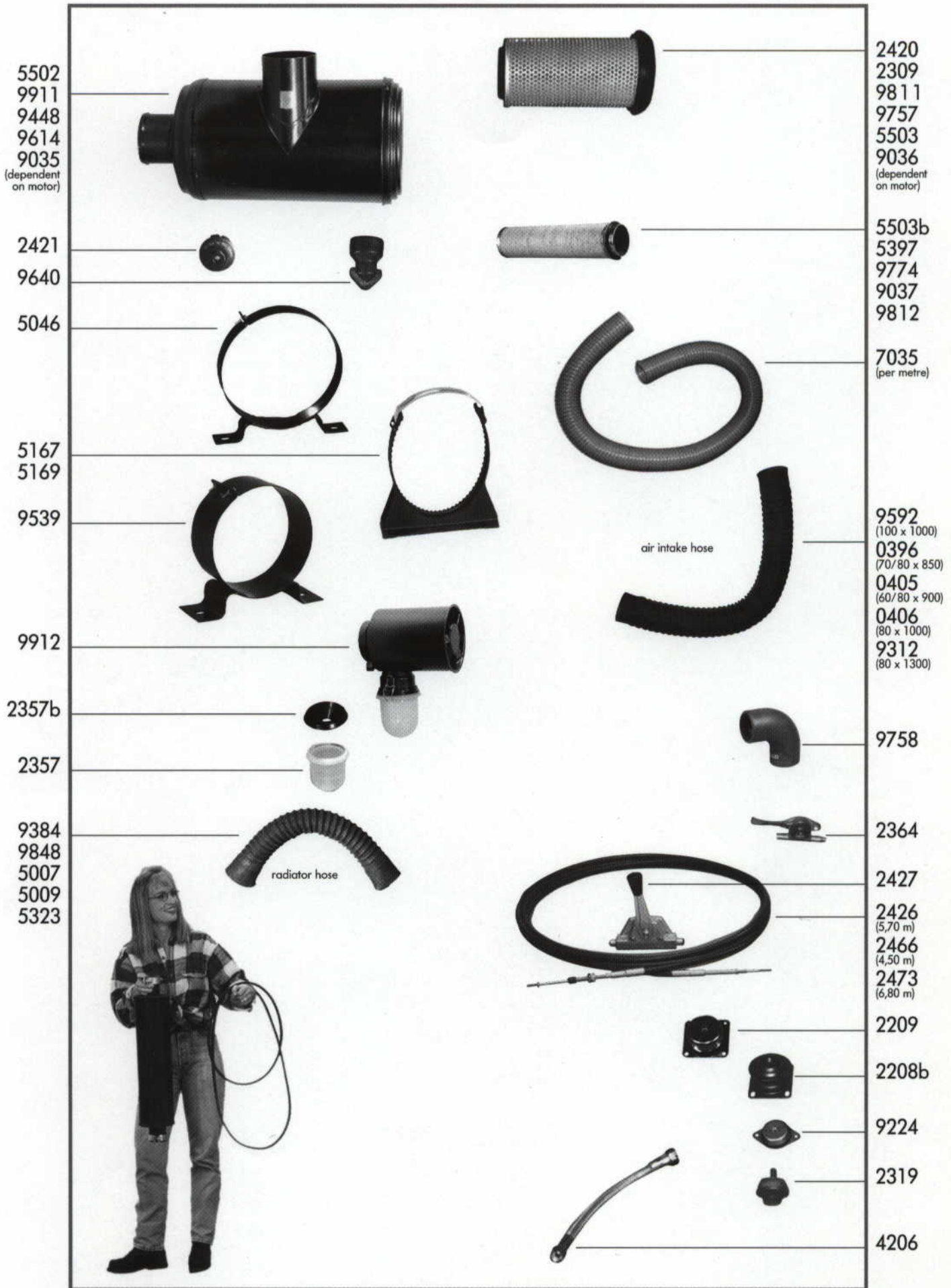
Dirt Container Inside



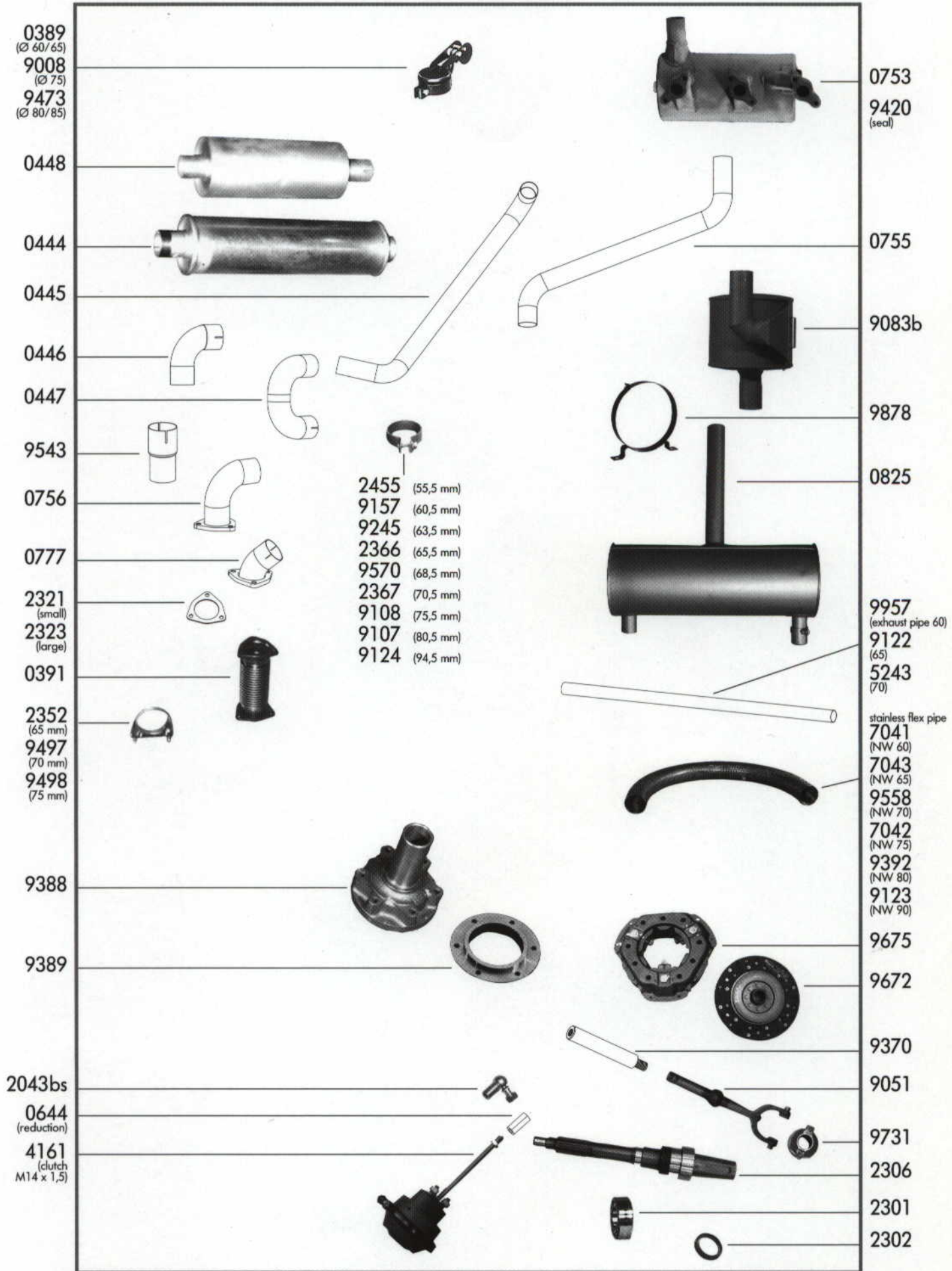
Dirt Container Outside



Motor Parts I

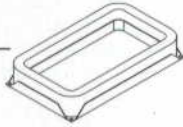


Motor Parts II



Ventilators

9855
(complete)
9855b
(rubber seal)

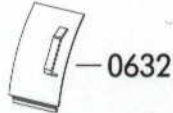
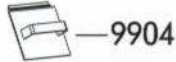


new exhaustor seal

TAZ/TSZ

(TAZII see page 23)

0410
(incl. flaps)

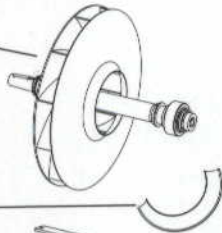


2199c

2199b

0327
(fan complete)

for fan wheel
with cyl. shaft,
please ask
for details



2312

2313

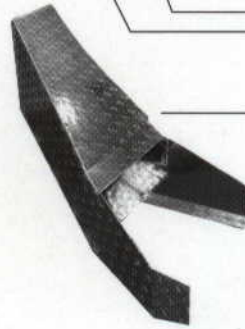
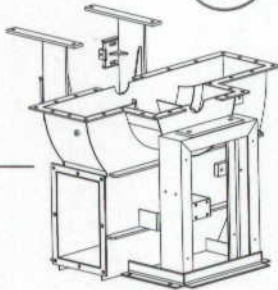
2199

2318

2198

2200

2340



0789

(without
insulation)

0411
(lower
housing)

CF

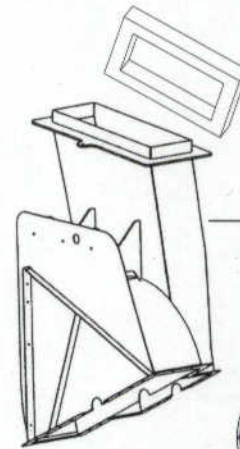
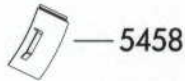
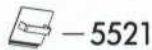
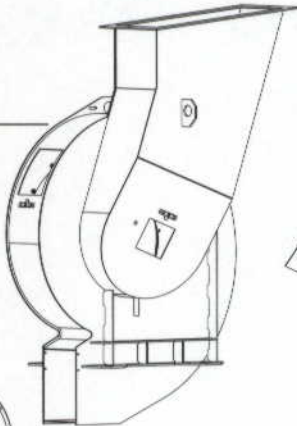
OF

5028
(complete)
9480
(seal)



9076

5583
(incl. flaps)



5632
(incl. flaps)



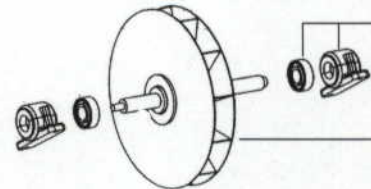
5332
5332c

please ask
for details

5266



5084g

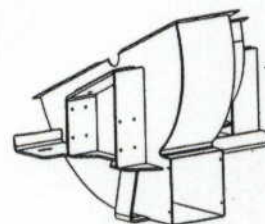


5342c
(assembly kit)

5124

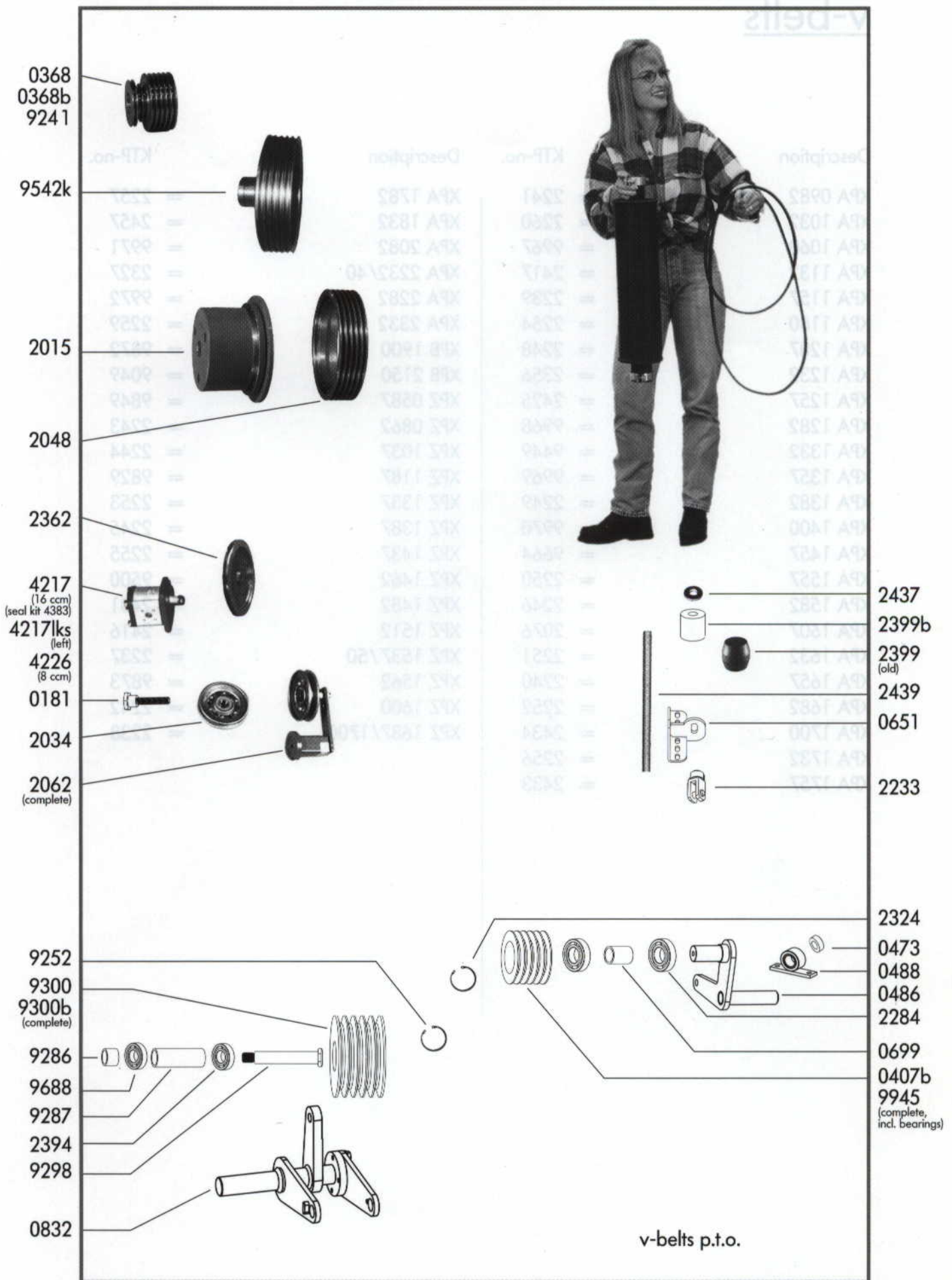


5084g



5633
(incl. flaps)

Power Transmission

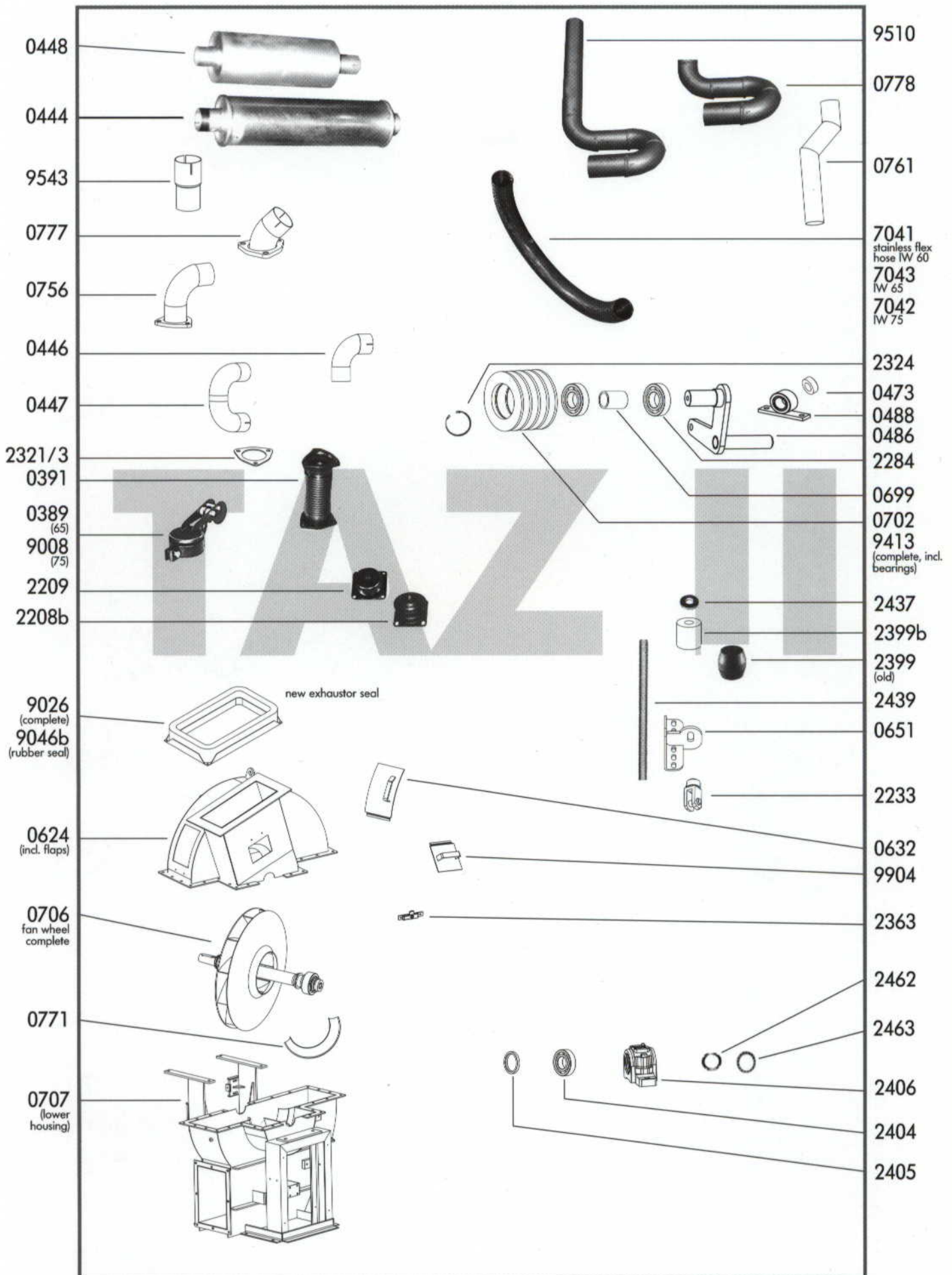


v-belts

Description	KTP-no.	Description	KTP-no.
XPA 0982	= 2241	XPA 1782	= 2257
XPA 1032	= 2260	XPA 1832	= 2457
XPA 1060	= 9967	XPA 2082	= 9971
XPA 1132	= 2417	XPA 2232/40	= 2327
XPA 1157	= 2239	XPA 2282	= 9972
XPA 1180	= 2254	XPA 2332	= 2259
XPA 1207	= 2248	XPB 1900	= 9872
XPA 1232	= 2356	XPB 2150	= 9049
XPA 1257	= 2425	XPZ 0587	= 9849
XPA 1282	= 9968	XPZ 0862	= 2243
XPA 1332	= 9449	XPZ 1037	= 2244
XPA 1357	= 9969	XPZ 1187	= 9829
XPA 1382	= 2249	XPZ 1337	= 2253
XPA 1400	= 9970	XPZ 1387	= 2245
XPA 1457	= 9664	XPZ 1437	= 2255
XPA 1557	= 2250	XPZ 1462	= 9500
XPA 1582	= 2246	XPZ 1482	= 2401
XPA 1607	= 2076	XPZ 1512	= 2416
XPA 1632	= 2251	XPZ 1537/50	= 2237
XPA 1657	= 2240	XPZ 1562	= 9873
XPA 1682	= 2252	XPZ 1600	= 2242
XPA 1700	= 2434	XPZ 1687/1700	= 2238
XPA 1732	= 2256		
XPA 1757	= 2433		



TAZ II – Motor Parts, Ventilator



Water Pumps + Filters

4007 (old)			4399c plastic water filter with stainless unit
4006			4399t (cup)
4109			4429 (for plastic water filter)
4005			4215
6050 (opener)			9817 (complete; single parts available on demand)
6050b (shutter)			9817e
9999j (separate components available)			9817b
9278 (separate components available)			9817c
4008 seal kits: slide ring seal = 4087b impeller = 4087c wear part = 4087g			9817d
0656			0304
0152			0485
2148			4016b (repair kit shaft seal = 4108) (repair kit slide ring seal = 4148) (shaft = 4172) (impeller = 4173)
4112			0175
5522 (diaphragm pneumatic water pump) 5522b (installation kit)			2032 (magnetic coil = 2343)
			4405b (discontinued model)
			9396 (complete)
			9390 (drive)

Water System

(partly incl. in various devices)

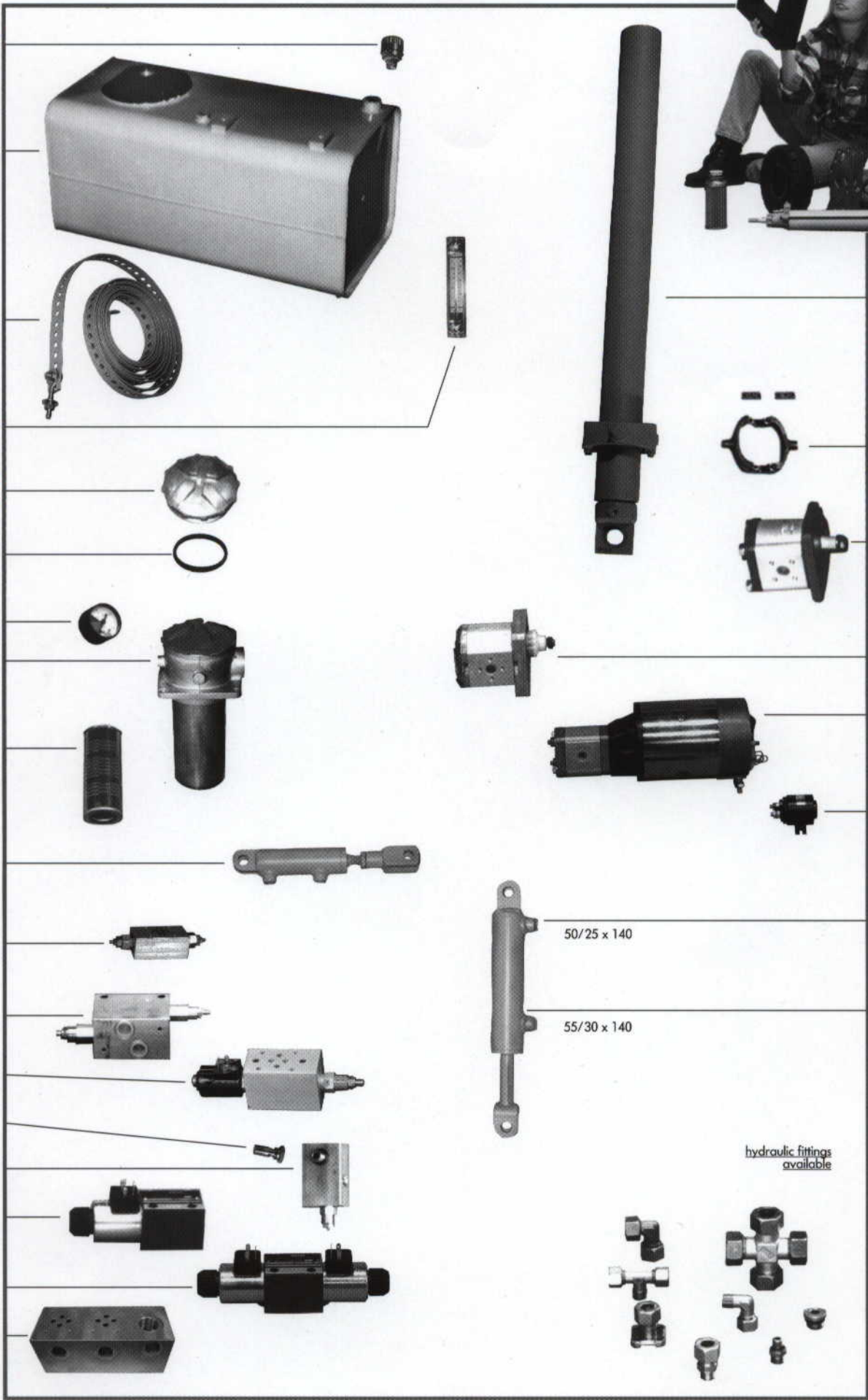
4180 (3 m)		2335		2336		5284
4180b (5 m)		0765		2333		9070
4291 (1/2")						9069
9514 (3/4")						5110
4017b/f						C = 4179
4017 (old)						B = 4304
4378 (1")						A = 4182
4378b (3/4")						C = 4178
0438						A = 4181
0440						4259 (= 1/2")
2346						4395 (= 3/4")
0436 (twofold)						4004 (= 1/4")
0603 (fivefold)						4235 (= 1/2")
	complete spraying systems see also suction mouth, disc broom, roller broom					4361 (= 3/4")
4414						4332 (= 1 1/2")
4424						0605 (fivefold)
4001						9466 (sevenfold)
4002						0605b (fivefold complete)
4003						9466b (sevenfold complete)
4397						4063
9865 (bracket for 4397)						4163 (twofold)
4216 (plexiglas tube)						4165
4227						4081
4363						1/4" x 27" = 4025b
0475/b (water blowing assembly set)	water blowing unit for frost period					1/4" x 33" = 4062
						1/4" x 41" = 4104
						9575 (spray hose 1/2")
						9575b (spray hose 3/4")

Hydraulics

(only selection)



- 4384
(M18 x 1,5)
- 9380
(M22 x 1,5)
- 0402b
(reinforced version)
- 0690
(tension belt)
- 4203
- 4201
- 9903
(cap)
- 4257
(stand)
- 4229
- 4249
(TSZ/TAZ)
- 4466
(CF/OF)
- 4175
(TSZ/TAZ)
- 4456
(CF/OF)
- 4168
(flap locking)
(seal kit = 4204)
- 9859
(pressure limit)
- 4331
(flap control)
- 4431
(drive reducer)
- 4386b
(hollow screw)
- 4386
(lowering brake)
- 4401b
(round coil old = 4334)
- 9964b
- 9624
(twofold)
- 9625
(threefold)



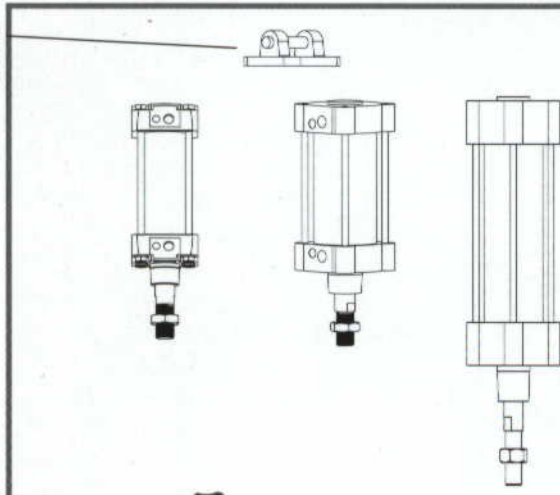
- 4060
(seal kit = 4078)
- 4151
- 4217
(16)
- 4217lks
(16 left)
- 4226
(8)
- 4112
(motor 3,8 ccm)
- 4177c
(e-motor = 9999xbk)
(pump = 4177b)
- 6077
(relay)
- 4167
(flap opening)
(seal kit = 4205)
- 4463
(seal kit 5231)

hydraulic fittings available

50/25 x 140
55/30 x 140

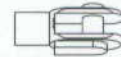
Pneumatic Cylinder

rear side mounting parts
(please ask for details)



cylinder, standards			
Ø	lift	KTP-no.:	thread-piston rod
63	280	4445	M 20 x 1,5
63	300	4447	M 20 x 1,5
63	500	4454	M 20 x 1,5
80	130	9258bK	M 20 x 1,5
100	120	4192	M 27 x 2
100	125	5460	M 27 x 2

seal kit
(please ask for details)



4295

4040
(seal kit = 4255)

4076
(seal kit = 4255)

4053

4075

9787
63x360

4055
(seal kit = 4251)

joint with bolt			
size	thread	bolt	KTP-no.:
8x16	M8	8	2460
8x32	M8	8	2295
10x20	M10x1,25	10	2311
10x20	M10	10	3082
12x24	M12	12	2045
14x28	M14x1,5	14	2203
14x28	M14	14	2233
16x32	M16x1,5	16	2330
16x32	M16	16	2192
20x32	M20x1,5	16	4231
20x40	M20x1,5	20	2470
20x40 special	M27x2	20	4232

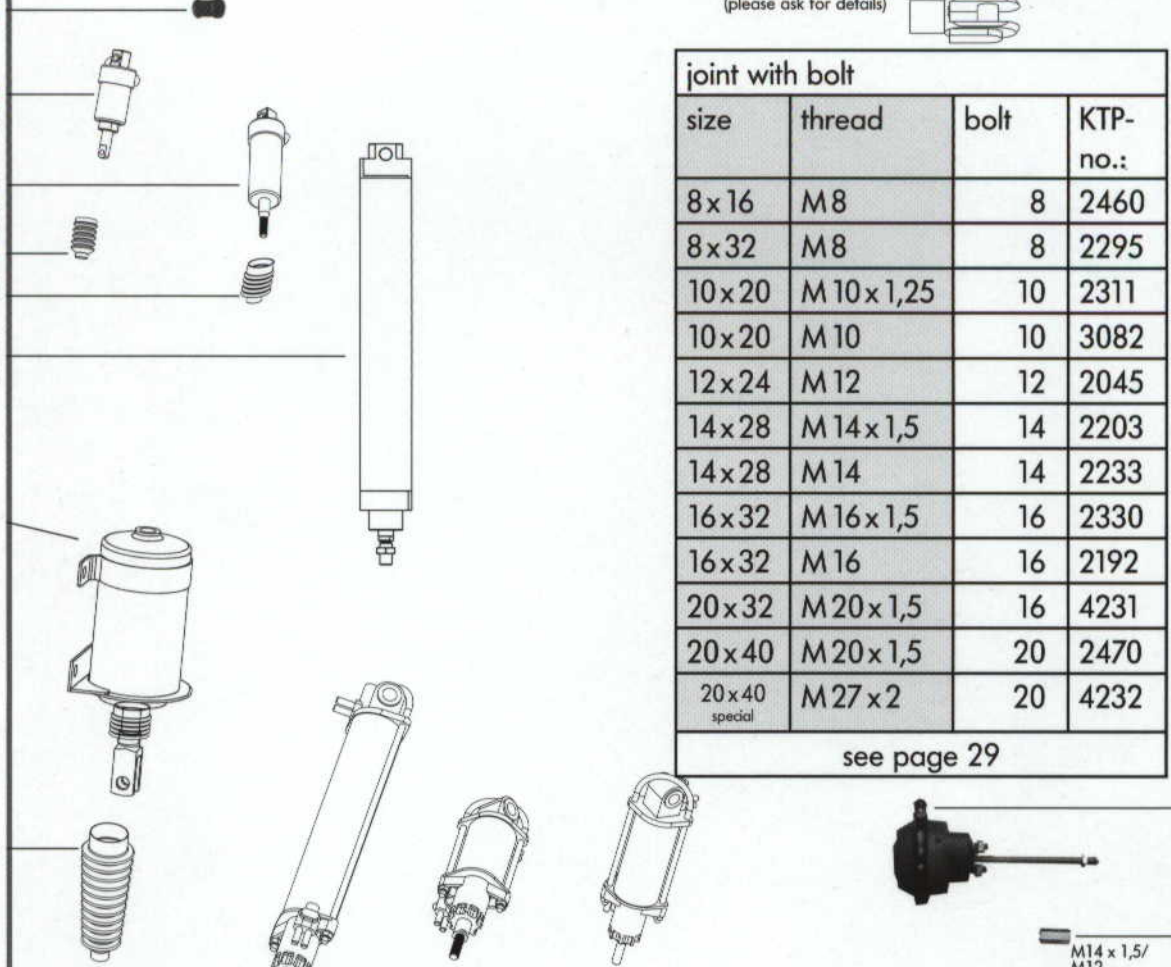
see page 29

4077

4052

4086

2317



4161
(clutch
M14 x 1,5)
diaphragm
4041
0644

special cylinder 60*			bellows	alternative cylinder**
lift	KTP-no.:	thread-piston rod	KTP- no.:	KTP- no.:
60	4028	M 12	4052	4028b
95	4031	M 12	4052	4031b
120	4030	M 12	4052	4030b
160	4032	M 16	4052	4032b
260	4085	M 16	4086	4085b

* seal kit = 4061

** seal kit = 4061b

Pneumatics

4067
9836 (small button)
9836c (LC)

4396
0,3-6 bar

5146
0,4-10 bar

5108
(prop. controls)

5202
9856

4359
= 7,3 bar
9508
= 6-9 bar

4206

4051 (M10 x 1)
4054 (M12 x 1,5)
4384 (M18 x 1,5)
9380 (M22 x 1,5)
4409 (1/4")
9244 (1/8")
9250 (3/8")

pneumatic/water fittings available

5239

4219

4111 (= 5/2)
4250 (= 3/2)

4455 (= 5/2)
4455b (= 5/3)
(shaped seal = 4455c)

5062

4468 (shaped seal = 4468c)

4066 (coil = 4220 ring = 4190)

9461

4186 (1 ring fitting)
4246 (2 ring fittings)
4247 (3 ring fittings)

6049

4321 (antifreeze)
4410 (air dryer)

4376
4307

Electrics

only selection

6045

6044

6031...ff
(switch symbols on demand)

6030
(symbol kit)

6078
(rev meter)

6078b
(angled)

9680
(heat indicator)

9680b
(angled)

9910
(pressure gange)

6052

5343

6042

6043

6001

9327

9950

6041
(old)

6041b
(old kit)

6041c
(new kit)

new model series:

6061b
(I-0-II)

6060b
(0-I)

6069b

6062b

6063b

6064b

6066b

6067b

6065b

6068b

9976
(hour meter)

list of switches
p.t.o.

9190
standard switch
6024...ff
(bulb
1W = 6003)

design switch
6024h...ff

9551

9552

9553

6015
(small)

6016
(cube)

5071
(70°C)

5237
(60°C)

5080
(115°C)

6049

6050
(opener)

6050b
(shutter)

6002

9329c

6054
(actuator)

6070
6070C
(new)

9310
(blank housing)

6070b
(threefold)

6081
(non-locking device)

6081b
(switch)

several versions available

4457
fence =
4457g

Switches

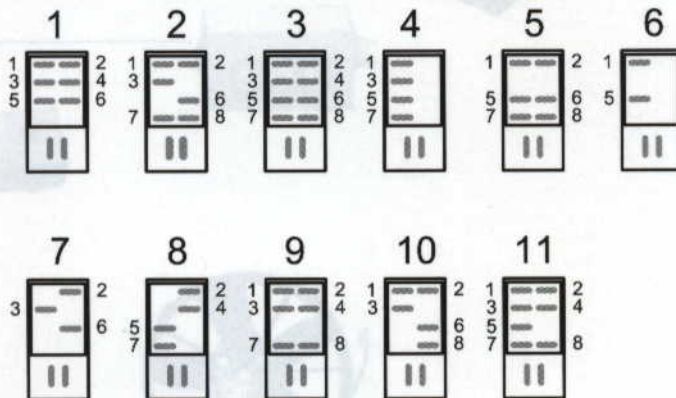
old version, angled:

KTP-no.	function	description	pole diagram
# 5491	0-I-II		1
# 5604	(n.-l.*) I-0-II (n.-l.*)	changer	2
# 6024	I-0-II	changer	3
# 6025	0-I (n.-l.*)	changeover	4
# 6026	0-I	doubleshutter	4
# 6027	0-I	doublechanger	5
# 6046	0-I (n.-l.*)	block	6
# 6047	0-I	2 x block	6
# 6085	0-I-II		7
# 6088	0-I-II (n.-l.*)		8
# 9120	0-I-II (n.-l.*)		9
# 9137	0-I-II		10
# 9272	(n.-l.*) I-0-II (n.-l.*)	changer	11
# 9463	(n.-l.*) I-0-II (n.-l.*)	changer	9
# 9864	(n.-l.*) I-0-II (n.-l.*)		2

*non-locking

new version, design:

KTP-no.	function	description	pole diagram
# 5205h	0-I-II	combination	7
# 5491h	0-I-II	combination	1
# 5604h	(n.-l.*) I-0-II (n.-l.*)		2
# 6024h	I-0-II	changer	9
# 6026h	0-I		4
# 6027h	I-0	changer	5
# 6046h	0-I (n.-l.*)	block	6
# 6085h	0-I-II	combination	10
# 9463h	(n.-l.*) I-0-II (n.-l.*)		9



Various

7010 (right)
7011 (left)

7079

7004 (cellular rubber)
2335 (spring clamp < 18 Ø)
2336 (< 30 Ø)
2333 (< 75 Ø)

7012 (9x3,5 PVC)
7029 (9x3,5 rubber)
7056 (13x4 rubber)
7034 (19x6 rubber)

2206
2419

foam material
7033 (40mm, thick cover)
7038 (30mm, thin cover)
7055 40mm, selfadhesive)

2298
7053 (anti skid)
7024 (6 x 1 PA)
7025 (6 x 1 PU)
9998 (8 x 1 PU)
7050 (10 x 1 PU)
9280 (12 x 1,5 PA)
7057 (22 x 2 PA)

0509
2370
2371
0635
2369 (610x1320x670)
9235 (530x1130x530)

2290 (end cap bumper)
2411 (bumper complete)
2396
2397
2291 (450x450)
2294

rubber sheets
medium, standard 10 mm, black = 7052
medium, wear resistant 10 mm = 7051
standard, 3 mm (seal) = 9637
soft, 7 mm = 9571
soft, wear resistant 10 mm = 7039

fork heads
M 8x16 = 2460
M 8x32 = 2295
M 10x1,25x20 = 2311
M 12x24 = 2045
M 14x1,5x28 = 2203
M 14x28 = 2233
M 16x1,5x32 = 2330
M 16x32 = 2192
M 20x1,5x32 = 4231
M 20x1,5x40 = 2470
M 20x40 = 9294
M 27x2x40 = 4232

shaft keys
A 5x5x25 = 9914
A 6x6x14 = 9243
A 6x6x40 = 9732
A 8x7x30 = 2071
A 10x8x40 = 2212
A 14x9x63 = 9438
A 14x9x70 = 2314
A 16x10x25 = 9658
A 16x10x60 = 9663
A 16x10x90 = 9626
A 18x11x80 = 9256
A 20x12x80 = 2315
A 20x12x120 = 9249
woodruff key 3x3,7 = 9915
woodruff key 3x5 = 9916

plastic tube

hoses

General terms and conditions of sale and delivery

Kommunaltechnik Pierau GmbH

1) General

Only these terms of sale and delivery apply to all deliveries and services. Deviating agreements are valid when we have confirmed them in writing. Illustrations, dimensions, weights and colors in catalogs, price lists and other printed materials are only approximate unless they have been expressly designated by us as binding. We reserve the right to make changes that are technically necessary or urgently necessary for the design.

2) Offers and orders

Our offers are always subject to change unless they are designated as fixed offers. Agreements, in particular verbal side agreements, commitments, guarantees and other assurances from representatives and employees before or upon conclusion of the contract must be in text form to be effective. In cases of orders for custom-made products, under-deliveries and over-deliveries of up to 15% of the order volume must be accepted at extra cost. For small orders up to a value of EUR 30.00 we can charge handling costs of EUR 10.00.

3) Prices

Unless otherwise expressly agreed, our prices are ex our Gehrden/Hannover headquarters; they do not include VAT, packaging, freight, insurance, customs duties or public charges. We choose the packaging appropriately and take it back within the scope of our legal obligations if you send it back to us free of carriage charges. If there is a significant change in order-related cost factors (e.g. wages, starting material, energy costs), the agreed price can be adjusted within a reasonable scope in accordance with the influence of these cost factors.

4) Delivery

Unless otherwise agreed, we choose the shipping method, shipping route and carrier at our own discretion. With the delivery to our shipping officer, but at the latest when leaving our warehouse, the risk of accidental loss and accidental deterioration of the goods passes to the customer. Partial deliveries are permitted.

5) Delivery time

The delivery times and deadlines are considered to have been met if the goods have left the factory/warehouse by the expiry date or if we have announced that the goods are ready for dispatch. If we are in any way obstructed to fulfill our delivery obligations by unforeseeable circumstances, which we cannot prevent despite the care (e.g. business destruction, delay in the delivery of essential sub-elements, raw or building materials), the delivery time will be extended accordingly. If the delivery or service becomes impossible due to the circumstances mentioned above, we are released from the delivery obligation. The same applies in the case of strikes and lock-outs. If the delivery time is extended in the aforementioned cases or if we are released from the delivery obligation, all claims for damages deriving from this will cease to apply.

6) Terms of Payment

Pricing and calculation apply in EURO. All changes in the exchange rate of the EURO that occur after the conclusion of the sale affect the customer. Unless otherwise agreed, the payment of invoice amounts must be made within 14 days of the invoice date with a 2% discount and within 30 days net. Checks only count as payment once they have been cashed. If the target is exceeded, the delay costs can be calculated at 3% above the German Federal Bank discount rate, provided that we are unable to prove any higher debit interest. We only send unknown customers against payment in advance of the invoice amount. When accepting orders, we require our customer's creditworthiness. If we become aware of reasons that gives rise to justified doubts regarding continued compliance with the proper payment (e.g. comparison procedure, imminent payment settings), we are entitled to withhold deliveries that have not yet taken place and to withdraw from the contract. All of this does not release the customer from his obligations arising from the parts of the contract that we have already fulfilled. Withholding payments or offsetting against any counterclaims of the customer is permitted if these have been legally established or are not disputed by us.

7) Notification of defects

Notices of defects and complaints regarding the defects, number of items or quality of the goods, also with regard to so-called hidden defects, insofar as these can be ascertained by reasonable examinations, must be made immediately, but no later than 10 days after receipt of the goods.

We limit our warranty obligation to either replace the defective goods after returning them to us by a replacement delivery or to take them back at the calculated price. We exclude further warranty claims, as well as liability for consequential damage. When taking back goods, we determine the mode of transport.

8) Retention of title

The delivery of our goods is always subject to retention of title. Until full payment of all claims due to us from the business relationship with our respective customer, he is not entitled to pledge the goods to third parties or to transfer them as security. If the goods delivered subject to retention of title, regardless of their condition, are resold by our customer, the customer assigns to us the claims against the customer or third parties with all ancillary rights arising from the sale or installation for the customer upon conclusion of the contract. If the customer includes the claim from the resale of our goods in a current account relationship with his customer, the current account claim is assigned in full. After balancing, the recognized balance replaces it, which is deemed to have been assigned up to the amount that made up the original current account claim. In the case of an ongoing invoice, our retention of title and the assignment as security serve as security for our entire balance claim. If the reserved goods are sold with other goods that do not belong to us, the resulting claims will be assigned to us in the amount that corresponds to the proportion of the goods delivered by us. If the goods delivered by us are processed or remodeled, the processing or remodeling will be carried out for us, so that it is not the customer who acquires the property in accordance with § 950 BGB (German Civil Code) but we. The above agreements apply accordingly to the further sale of such processing goods, to which the customer is authorized in the ordinary course of business. If the customer processes the goods delivered by us with other goods that do not belong to us, we will retain a share of the ownership of the new product to the extent that it results from the ration of the invoice value of the reserved goods plus the total increase in value resulting from the processing total increase in value resulting from the processing on the one hand and the purchase price of the other processing goods not belonging to us on the other hand. The above agreements apply accordingly to the further sale of such processing goods, to which the customer is authorized in the ordinary course of business. The customer is entitled to resell our goods in the ordinary course of business. Upon request, he is obliged to name the debtors of all claims arising from the sale of the reserved goods and to inform us of the amount of the individual claims and their due date. Insofar as we wish this in individual cases, the customer must grant us access to his business documents at any time for this purpose. The customer is authorized to collect the assigned claims from the resale itself, whereby we reserve the right to revoke this right at any time. We undertake to release the security to which we are entitled insofar as its value exceeds the claims to be secured, insofar as these have not yet been paid, by more than 25%.

9) Final provisions

Should one or more provisions of these sales and delivery conditions be ineffective, it does not affect the effectiveness of the contract and the remaining provisions. In this case, our customer and we undertake to adapt the ineffective clause in accordance with § 315 of the German Civil Code (BGB) and considering the economical fairness in that way, that mutual security according to these conditions is granted. Place of performance for all services from the contracts that we conclude with our customers, as well as the sole place of jurisdiction for all disputes arising directly or indirectly from the contractual relationship is Gehrden/Hannover. German law applies exclusively; the application of the laws of the uniform international sales law is excluded.